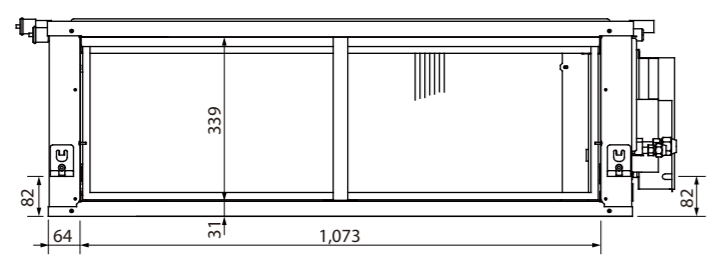
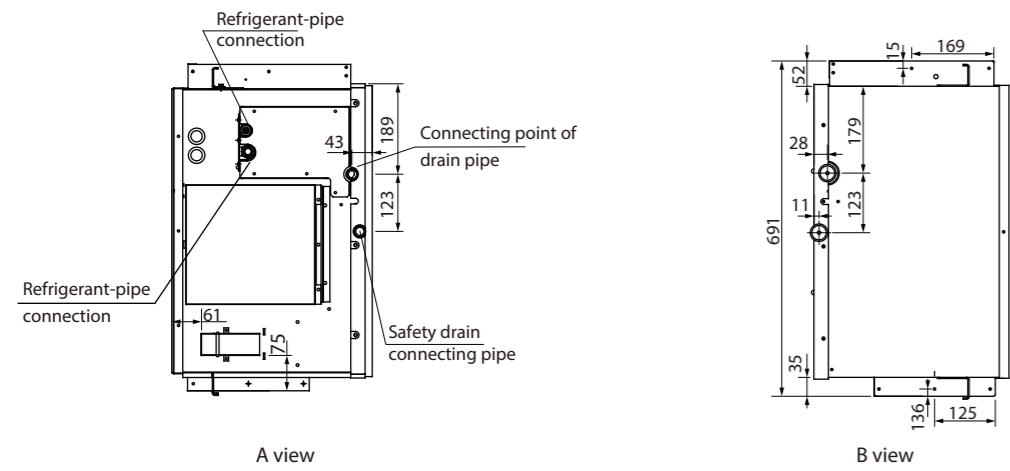
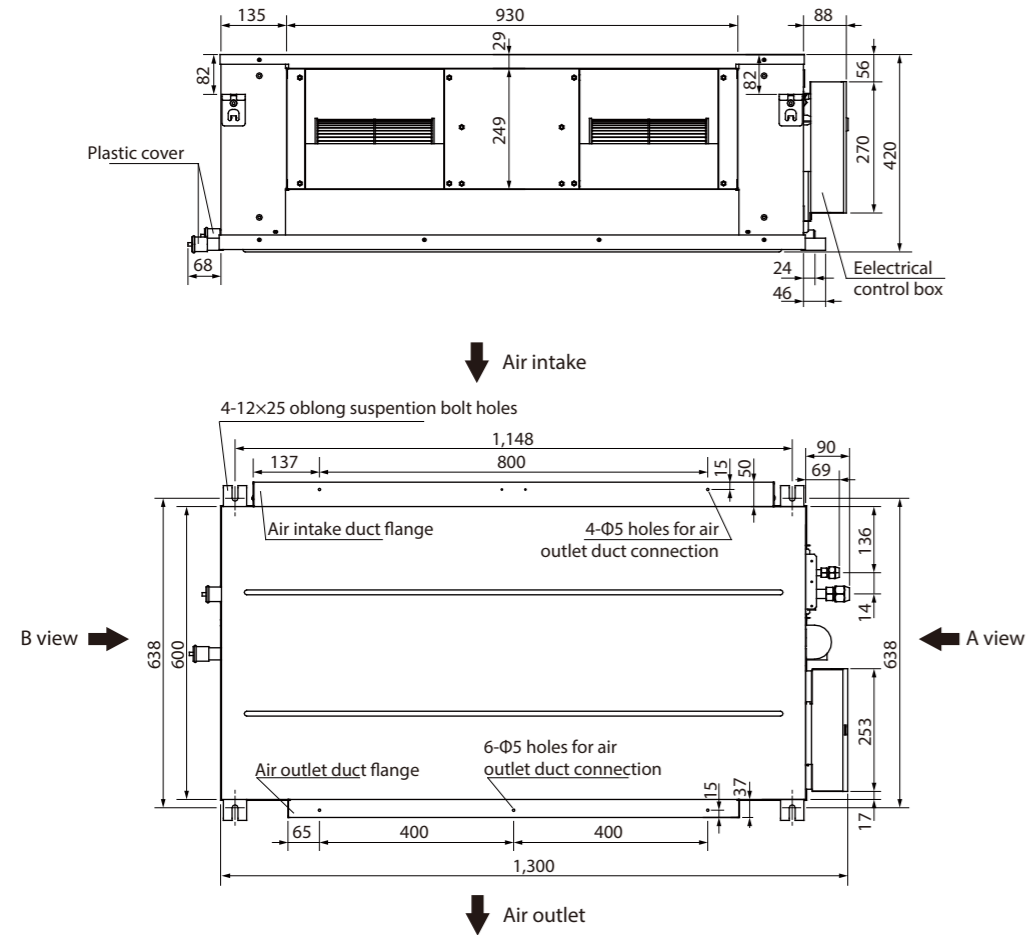
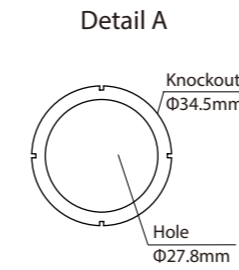
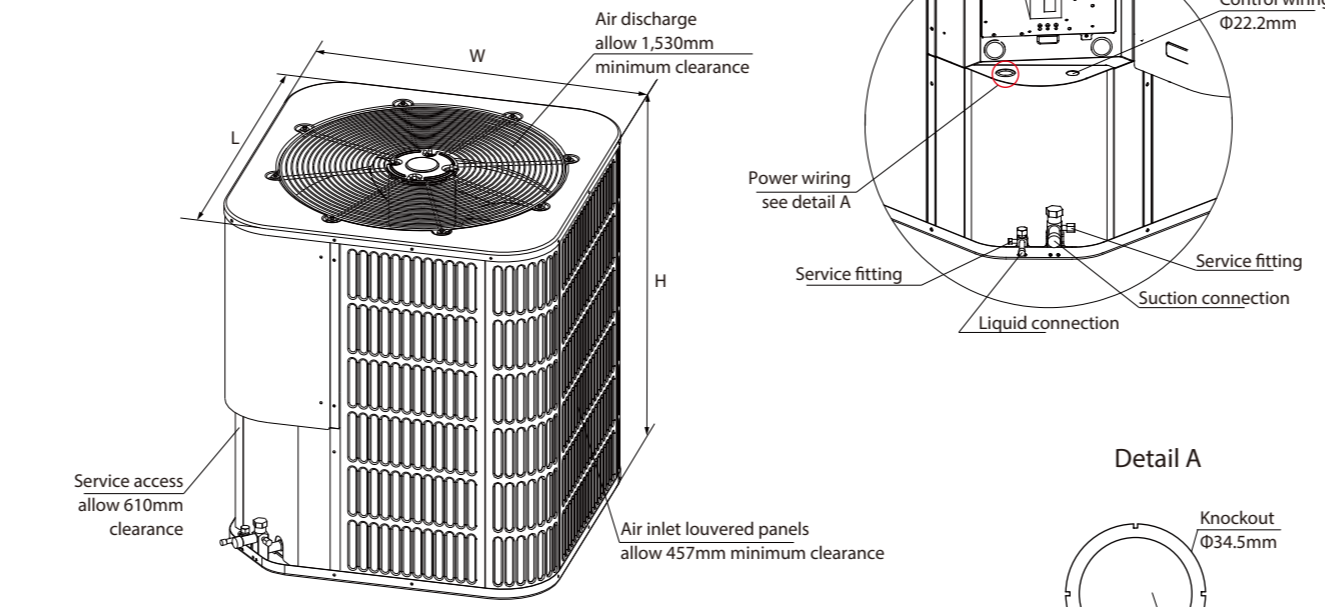


MTA-48WN1/MTA-60WN1 (Unit: mm)

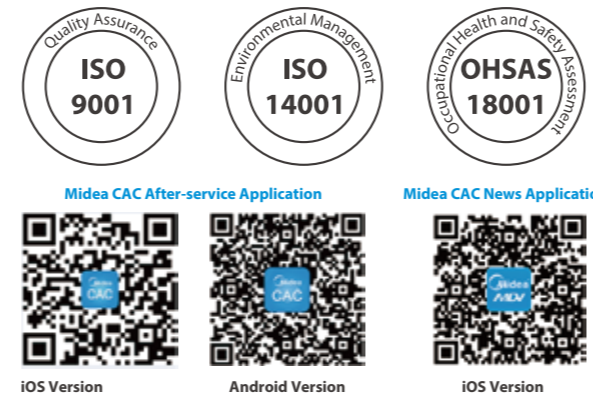


Outdoor Unit Dimension



Notes: Grill appearance may vary.

Model	Dimensions			Refrigerant connection valve size	
	H (mm)	W (mm)	L (mm)	Liquid (mm)	Suction (mm)
MOVTB-18CN1-13C	633	554	554	Φ9.52	Φ19.1
MOVTB-24CN1-13C	633	600	600	Φ9.52	Φ19.1
MOVTB-36CN1-13C	759	710	710	Φ9.52	Φ19.1
MOVTB-36CN1-R13C	759	710	710	Φ9.52	Φ19.1
MOVTB-48CN1-R13C	843	710	710	Φ9.52	Φ22.2
MOVTB-60CN1-R13C	843	740	740	Φ9.52	Φ22.2



Commercial Air Conditioner Division

Midea Group

Add.: Midea Headquarters Building, 6 Midea Avenue, Shunde, Foshan, Guangdong, China

Postal code: 528311

Tel: +86-757-26338346 Fax: +86-757-22390205

cac.midea.com global.midea.com


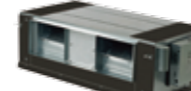
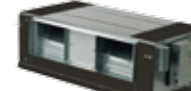



Note: Product specifications change from time to time as product improvements and developments are released and may vary from those in this document.



Tropical
SEER 13
High Efficiency Duct

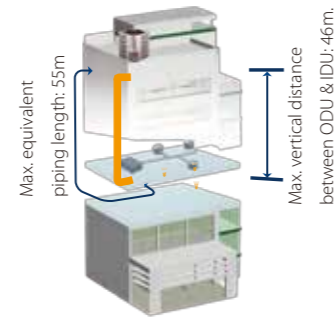


Product Line-up

Nominal capacity	1.5ton	2ton	3ton (1& 3Ph)	4ton (3Ph)	5ton (3Ph)
Indoor unit					
Outdoor unit					

Features

- ❖ Suitable for using refrigerant R410A
- ❖ Tropical design with **Copeland** compressor
- ❖ Blue hydrophilic fin & inner grooved copper pipe
- ❖ 3-speed indoor fan for enhanced comfort
- ❖ Air intake filter as standard
- ❖ Outdoor fan motor insulation class: IP44
- ❖ Certified by **ESMA**
- ❖ Long piping length. Max. equivalent piping length: 55m; Max. vertical distance between ODU and IDU: 46m. (Notes: ODU is up.)



Specifications

Indoor unit			MTA-18WN1	MTA-24WN1	MTA-36WN1	MTA-36WN1	MTA-48WN1	MTA-60WN1
Outdoor unit			MOVTB-18CN1-13C	MOVTB-24CN1-13C	MOVTB-36CN1-13C	MOVTB-36CN1-R13C	MOVTB-48CN1-R13C	MOVTB-60CN1-R13C
Power supply	Indoor unit	V/Ph/Hz	220-240/1/50	220-240/1/50	220-240/1/50	220-240/1/50	220-240/1/50	220-240/1/50
	Outdoor unit	V/Ph/Hz	220-240/1/50	220-240/1/50	220-240/1/50	380-415/3/50	380-415/3/50	380-415/3/50
Cooling	T1 Capacity	Btu/h	18,000	23,800	35,000	34,400	48,000	57,000
	T3 Capacity	Btu/h	16,000	20,600	30,200	29,800	41,500	50,700
	EER (T1/T3)	Btu/h.W	11.3/8.1	11.6/8.2	12.2/8.6	11.6/8.2	11.6/8.1	11.7/8.1
Compressor			Scroll (Copeland)	Scroll (Copeland)	Scroll (Copeland)	Scroll (Copeland)	Scroll (Copeland)	Scroll (Copeland)
Motor	Indoor unit	AC type	AC type	PSC type	PSC type	PSC type	PSC type	PSC type
	Outdoor unit	AC type	AC type	AC type	AC type	AC type	AC type	AC type
Air flow	Indoor unit *	CFM	660/565/520	1,020/900/780	1,100/1,000/860	1,100/1,000/860	1,700/1,550/1,400	2,000/1,700/1,550
	Outdoor unit	CFM	1,400	1,765	3,000	3,000	3,394	4,029
Indoor standard ESP	Pa	25	25	37	37	37	37	37
Indoor ESP range	Pa	0 - 75	0 - 100	0 - 75	0 - 75	0 - 100	0 - 100	0 - 100
Noise level	Indoor unit	dB(A)	42	49	51	51	52	54
	Outdoor unit	dB(A)	58	62	64	64	68	68
Connection pipe	Liquid side	mm	Φ9.52	Φ9.52	Φ9.52	Φ9.52	Φ9.52	Φ9.52
	Gas side	mm	Φ19.1	Φ19.1	Φ19.1	Φ19.1	Φ22.2	Φ22.2
Net dimension (W×H×D)	Indoor unit	mm	1,220×210×500	1,230×270×775	1,230×270×775	1,230×270×775	1,300×420×690	1,300×420×690
	Outdoor unit	mm	554×633×554	600×633×600	710×759×710	710×759×710	710×843×710	740×843×740
Packing (W×H×D)	Indoor unit	mm	1,360×292×560	1,355×350×795	1,355×350×795	1,355×350×795	1,430×450×768	1,430×450×768
	Outdoor unit	mm	585×662×582	628×667×628	738×793×738	738×793×738	738×877×738	768×877×768
Net/Gross weight	Indoor unit	kg	27/32	38/44	38/44	38/44	70/77.5	70/77.5
	Outdoor unit	kg	55/58	59/62	86/90	81/85	89/93	98/102

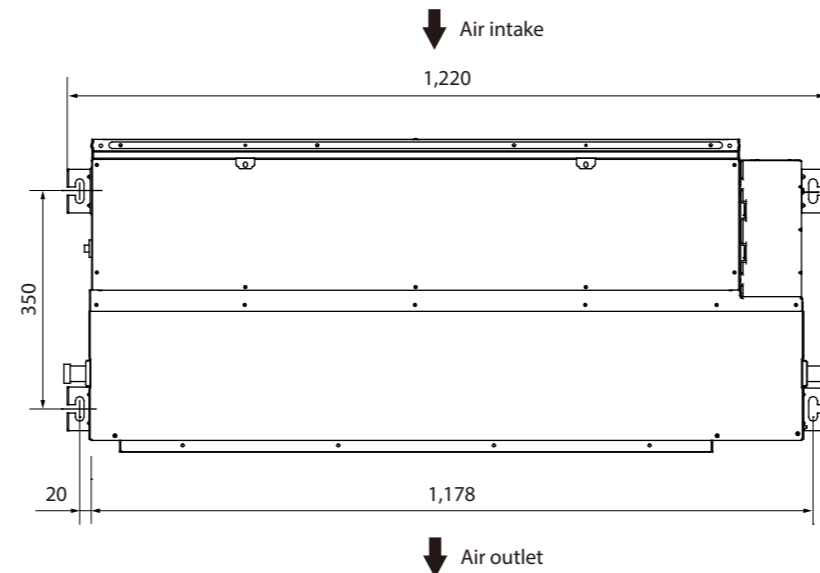
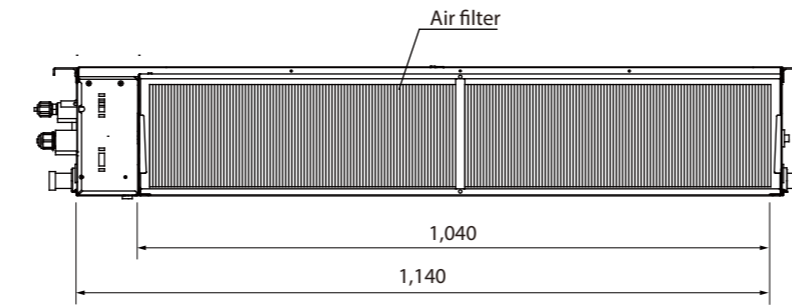
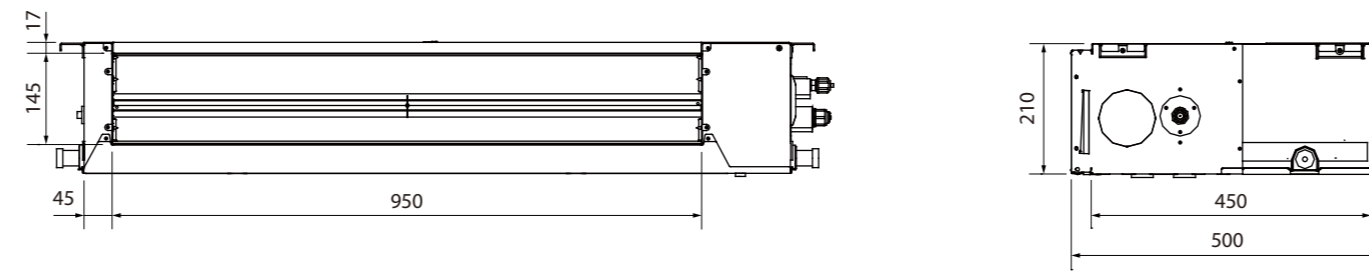
Notes:

- The capacity is based on the following conditions:
T3 cooling: Indoor temperature 29°C DB/19°C WB; Outdoor temperature 46°C DB. T1 cooling: Indoor temperature 27°C DB/19°C WB; Outdoor temperature 35°C DB.
The refrigerant piping length between indoor unit and outdoor unit is 7.5m.
- ESP: External static pressure.
- 220V signal terminal of wired controller is reserved. Midea's controller with 5V signal can be customized.

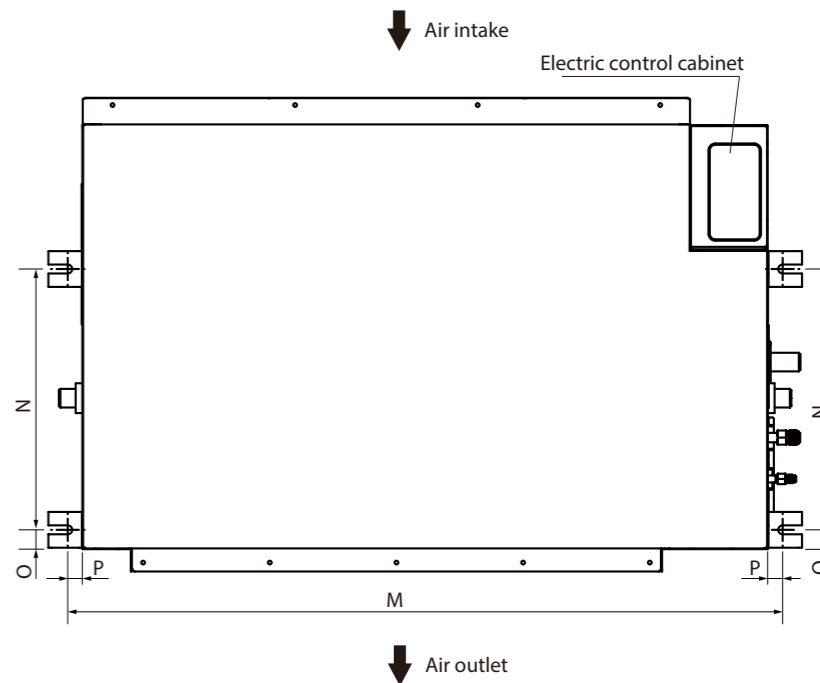
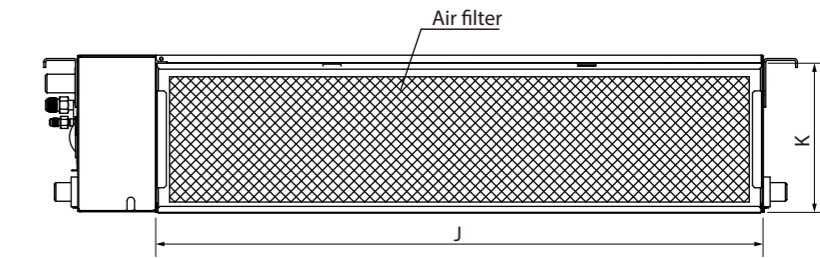
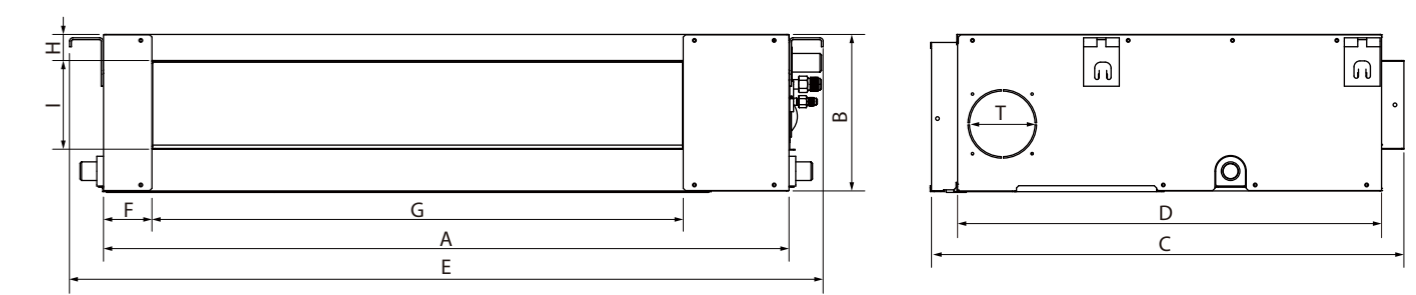
*: Indoor unit air flow volume is based on the standard ESP.

Indoor Unit Dimension

MTA-18WN1 (Unit: mm)



MTA-24WN1/MTA-36WN1



Model	Outline dimension					Air outlet opening size				Air return opening size			Size of mounted lug				Fresh air inlet
	A	B	C	D	E	F	G	H	I	J	K	L	M	N	O	P	T
MTA-24WN1	1,140	270	775	710	1,230	65	933	35	179	1,035	260	20	1,180	490	26	20	Φ125
MTA-36WN1	1,140	270	775	710	1,230	65	933	35	179	1,035	260	20	1,180	490	26	20	Φ125